



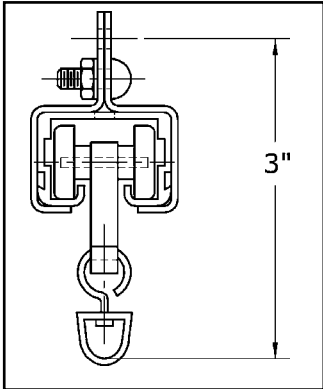
Model 113 Assembly

SPECIFINE® Model 113

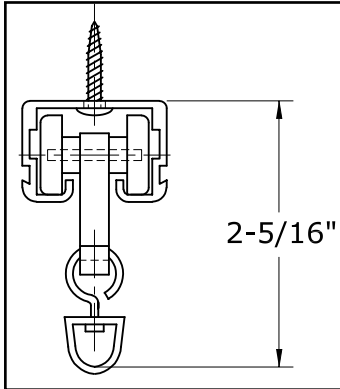
SPECIFINE® Model 113 is an aluminum box-shaped curtain track specifically designed to meet architectural specifications for straight curtains up to 20' in length. Classrooms, residences, boardrooms, multi-purpose rooms, cafeterias, churches, hotels, banks, are all ideal applications for the Model 113 SPECIFINE® track.

This track can be either recessed, surface mounted, or can be suspended from the ceiling. The cord is completely concealed within the track channel. The carriers move effortlessly through the track channel without the carrier block binding against the channel.

Dovetail design on exterior of channel allows joint compound to seep into slot allowing a flush finish.



**Cross Section
of 113 Track
Suspended Installation**
Min. pocket width: 4-3/4 in.



**Cross Section
of 113 Track
Ceiling Mount**